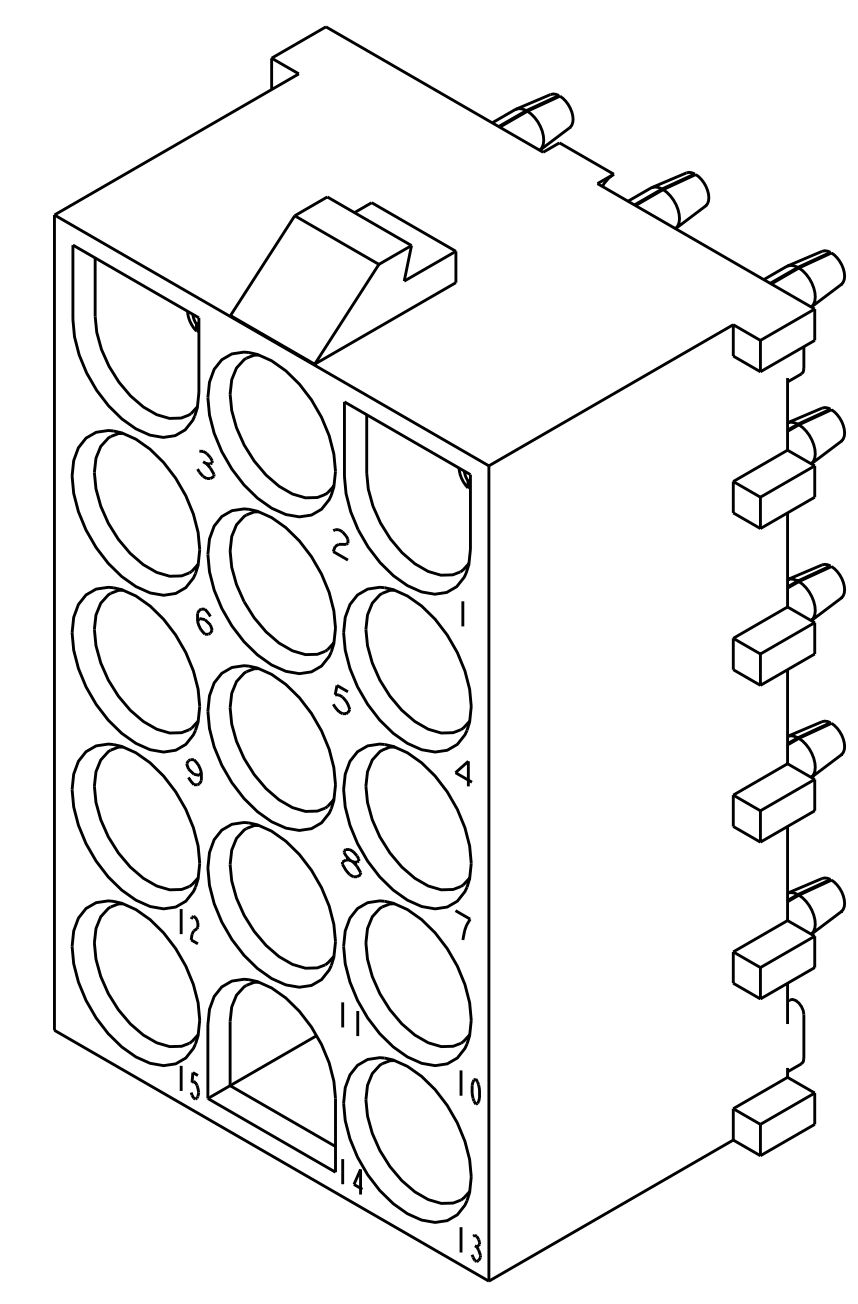
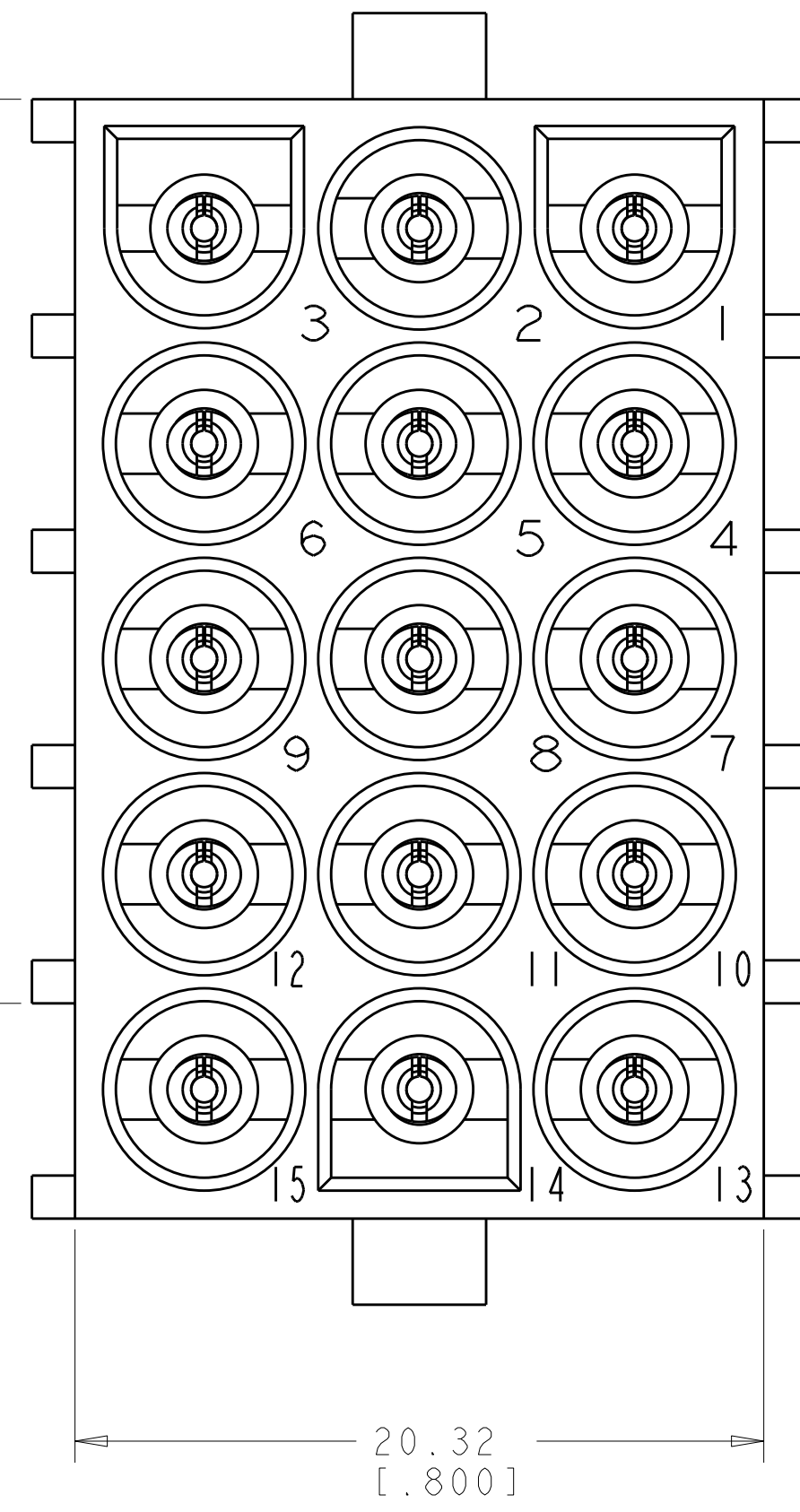
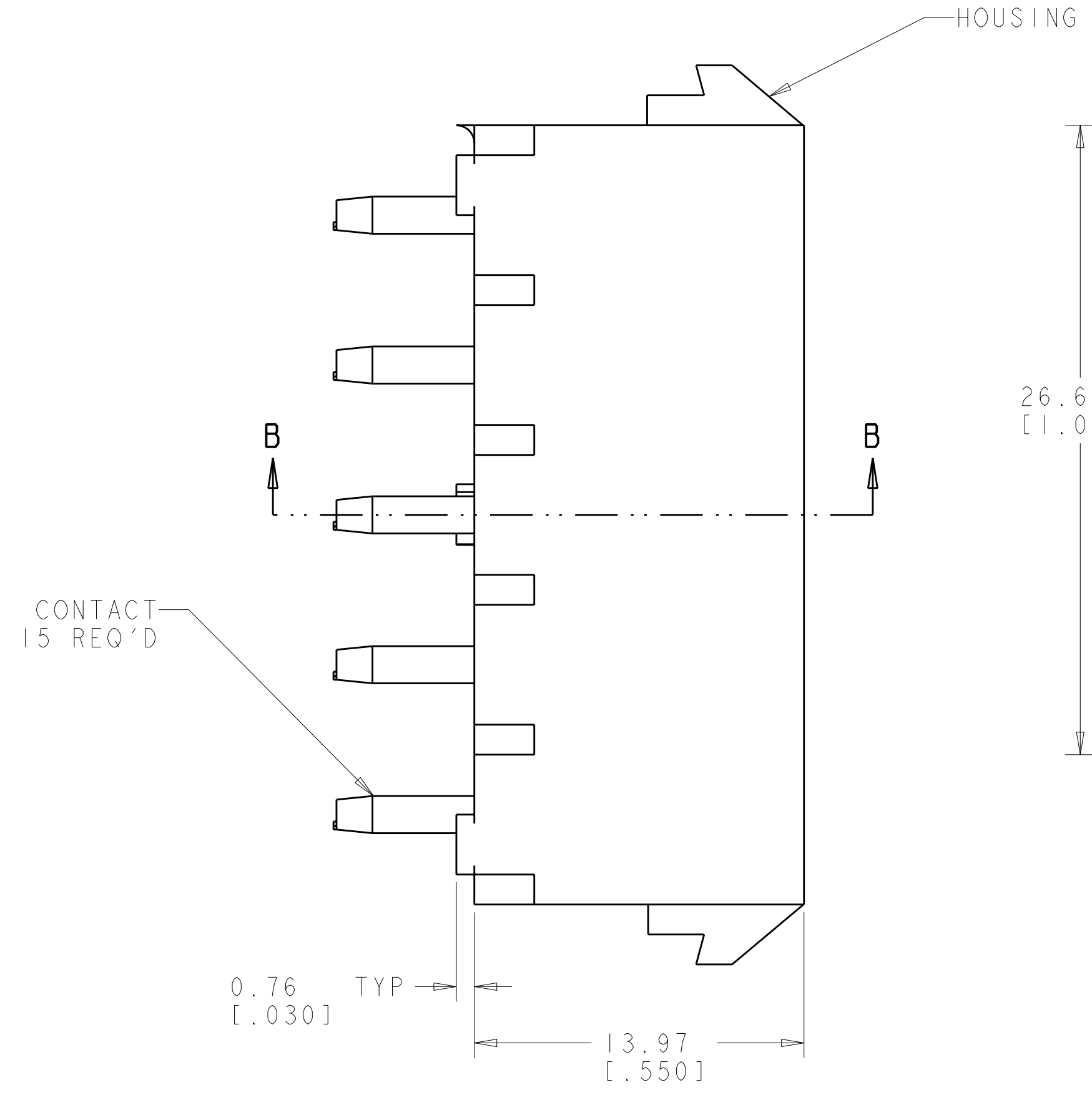
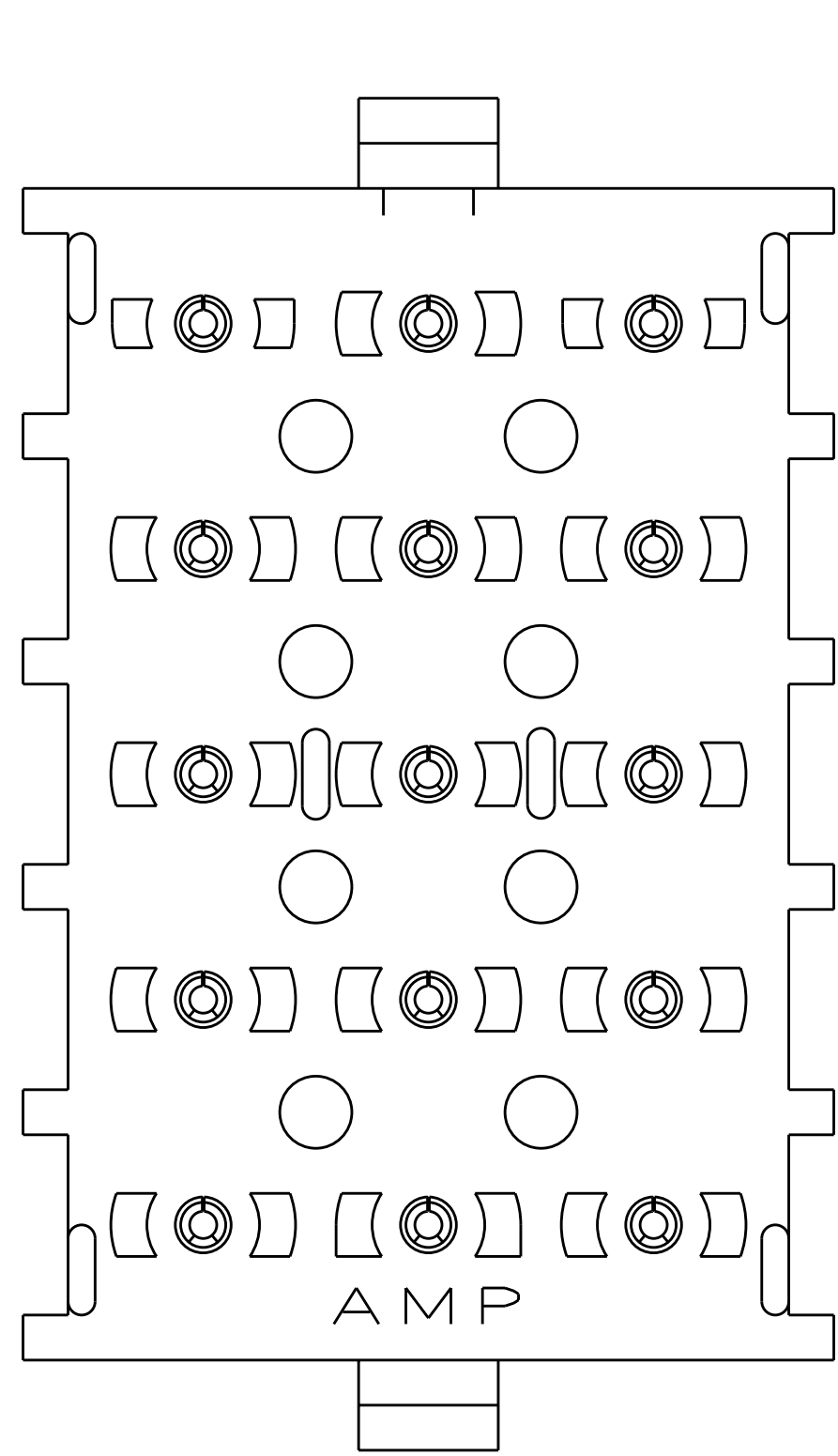
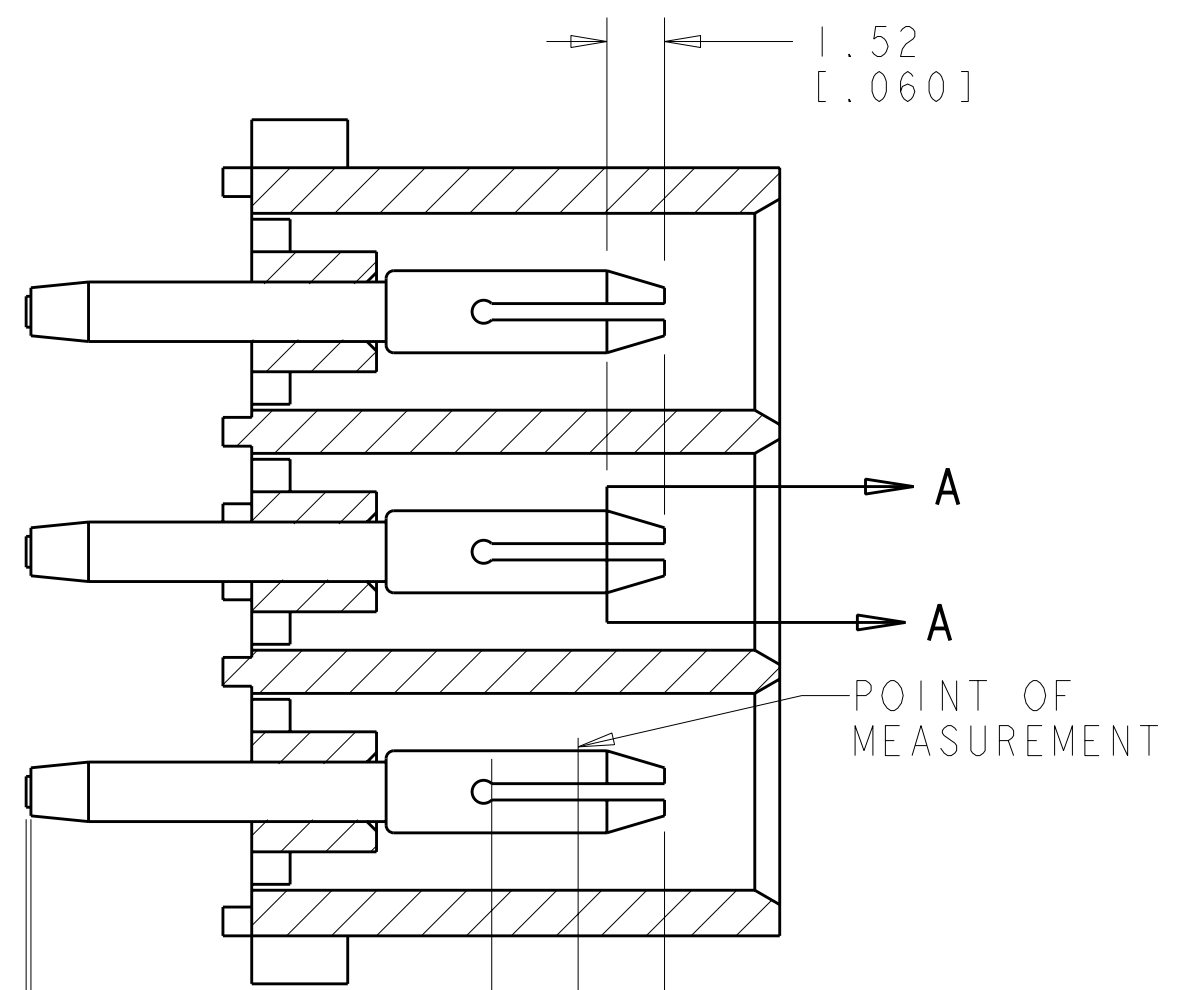
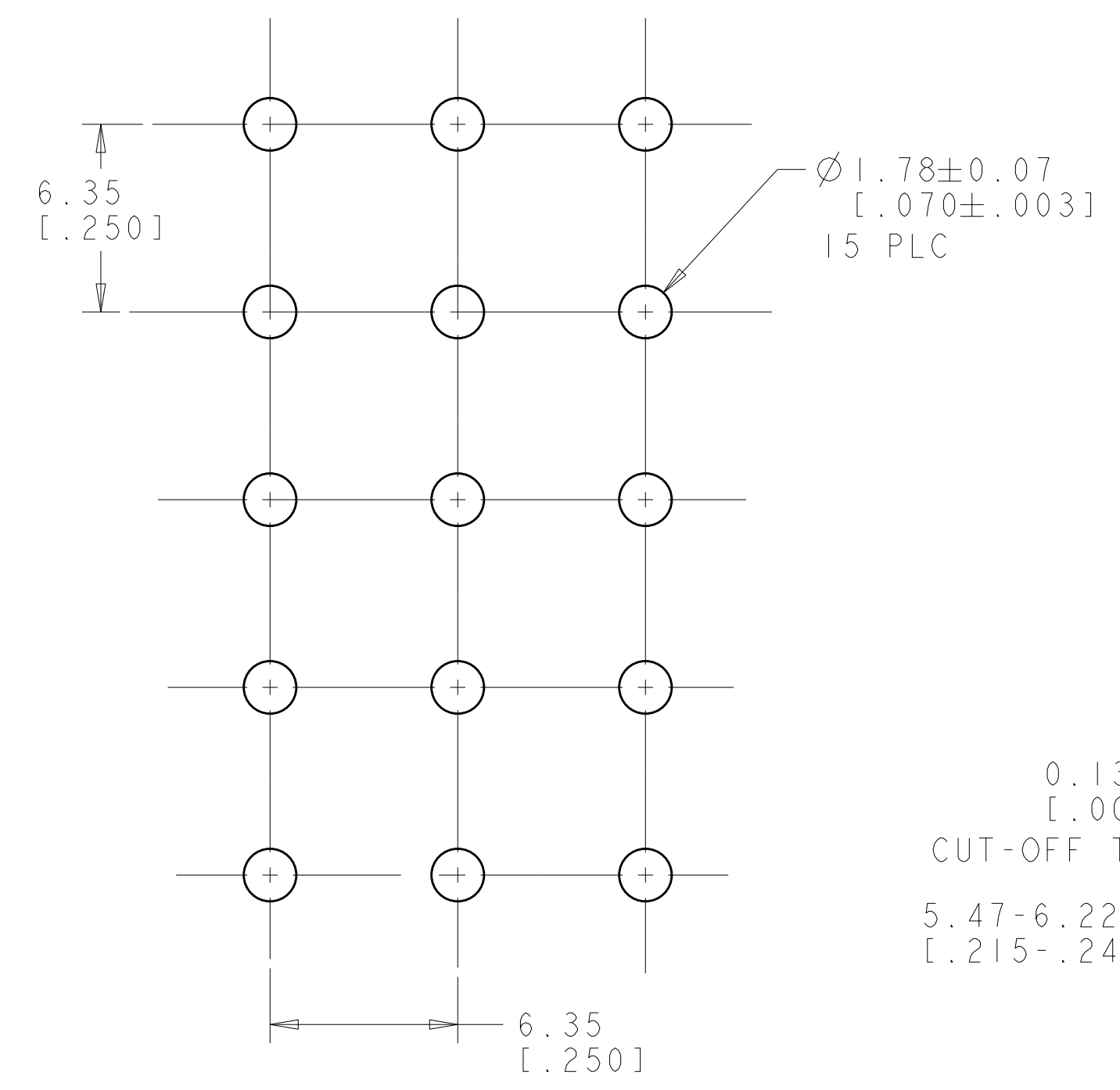


LOC	DIST	REVISIONS			
		REV	DATE	BY	APP'D
CM	00	M	05OCT05	KW	SR
		MI	07DEC2007	KW	DC

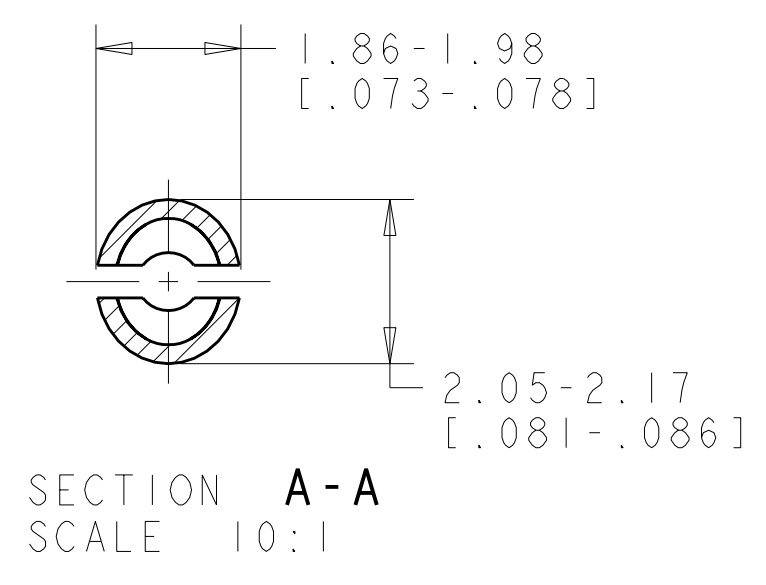
- MATES WITH HOUSING 350736.
- PARTS COMPLY TO AMP SOLDERABILITY SPECIFICATION 109-11-3.
- CONTACT IS PLATED OVERALL WITH 0.00127 [0.00050] NICKEL, THEN 0.00076 [0.00030] GOLD OVER CONTACT LENGTH INDICATED AND TIN LEAD ON SOLDER TAIL END.
- CIRCUIT IDENTIFICATION CHARACTERS ARE ADJACENT TO THE INDICATED CAVITIES, BUT LOCATION AND ORIENTATION MAY DIFFER FROM PRINT.
- CONTACT IS PLATED OVERALL WITH 0.00127 [0.00050] NICKEL, THEN 0.00076 [0.00030] GOLD OVER CONTACT LENGTH INDICATED AND MATTE TIN ON SOLDER TAIL END.
- DIMENSIONS IN BRACKETS ARE IN INCHES.



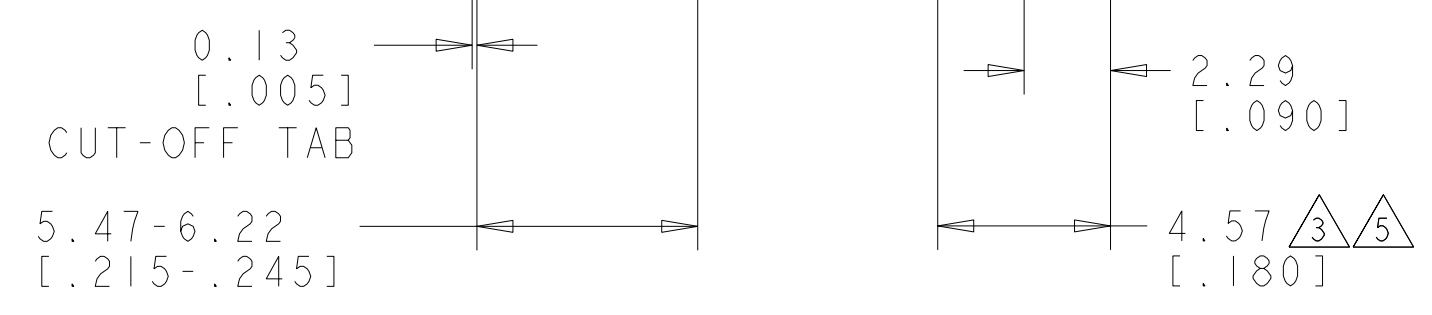
3 DIMENSIONAL MODEL  
SCALE 4:1



SECTION B-B



SECTION A-A  
SCALE 10:1



PIN CONTACT MATERIAL AND FINISH	HOUSING MATERIAL AND COLOR	PART NUMBER
PHOSPOR BRONZE, GOLD $\Delta$	NYLON, UL94V-0, NATURAL	350738-4
PHOSPOR BRONZE, GOLD $\Delta$	NYLON, UL94V-0, NATURAL	350738-2
PHOSPOR BRONZE, PRE-TIN	NYLON, UL94V-0, NATURAL	350738-1

RECOMMENDED MOUNTING HOLE PATTERN FOR 1.57 [0.062] THICK P.C. BOARD HOLE THAT CORRESPONDS TO REMOVED CONTACT CAN BE OMITTED



DIMENSIONS: mm [INCHES] TOLERANCES UNLESS OTHERWISE SPECIFIED: 9 PLC ± 1 PLC ±0.13 (.005) 5 PLC ± 4 PLC ± ANGLES ±40° 30'		DWG: R. WHITAKER 05OCT2005 CHK: S. RIDGILL 05OCT2005 APVD: S. RIDGILL 05OCT2005 PRODUCT SPEC APPLICATION SPEC WEIGHT: - CUSTOMER DRAWING		Tyco Electronics Harrisburg, PA 17105-3608 NAME: PIN HEADER ASSEMBLY, 15 CIRCUIT, UNIVERSAL MATE-N-LOK(TM) SIZE: A11 CAGE CODE: 00779 DRAWING NO: 350738 SHEET 1 OF 1 REV: M	
---	--	--	--	---	--